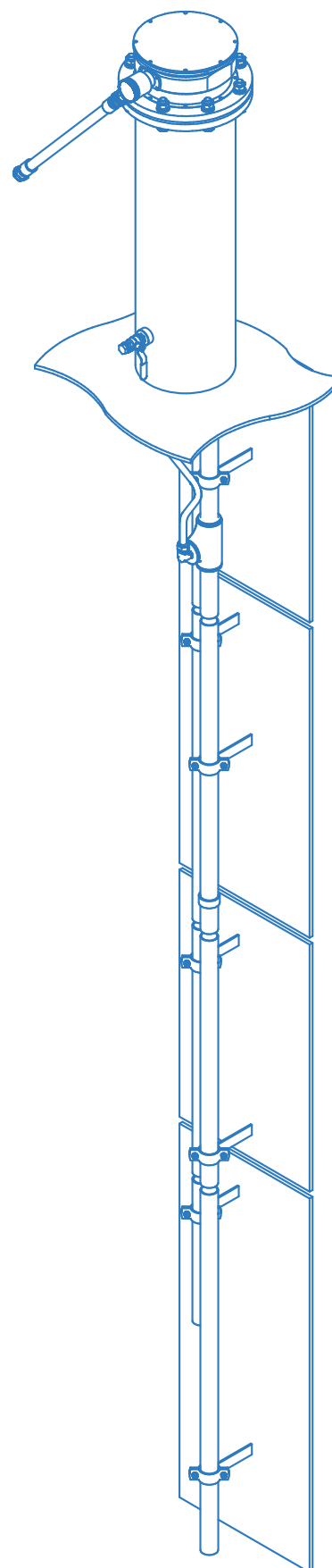
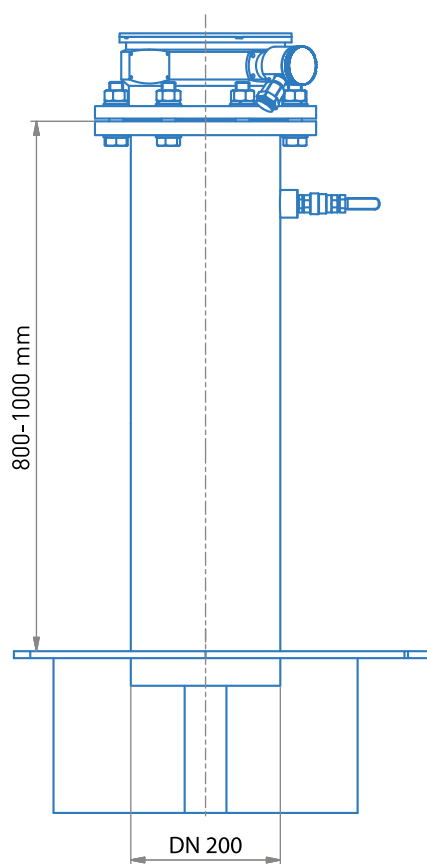


Drawing of TGD meter and its installation
 

---


 TGD measurement channels
 

---

**L-level measurement**

Measuring range	0...26 m
Basic error of measurement	+/-2 mm
Product temperature	-200...+150 °C

**T-temperature measurement**

Number of measurement points	up to 15
Basic error of measurement	±0,05%
Measuring range	-200...+150 °C

**P-measurement of inert gas pressure**

Basic error of measurement	0.1%
Measuring range	±100...±500 mbar

**S-density measurement**

Measuring range	500-1500 kg/m <sup>3</sup>
Measurement accuracy	0.1% of measured range